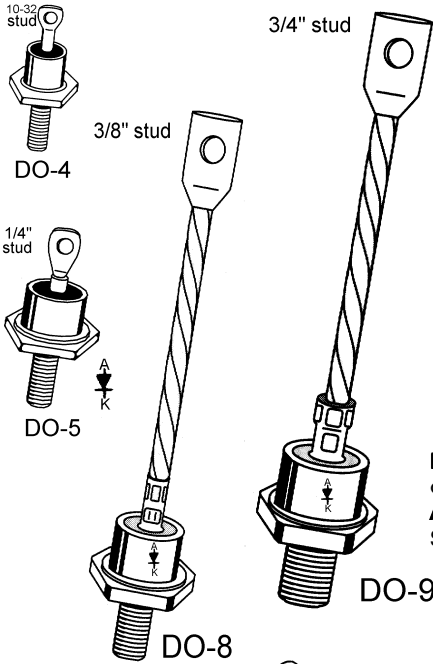


SEMICONDUCTORS

GENERAL PURPOSE DIODES @ 1000V

AMPS	CASE STYLE	PART #	A K
1A	plastic, axial lead	1N4007	A K
1.5A		1N5399	
3A		1N5408 MR510	
6A		MR760	
12A	metal stud, DO-4	1N3673	A K
20A		NTE5932 25F120	
35A	metal stud, DO-5	1N3768	A K
40A		1N1190A (600v)	
70A		70HF100	
100A	metal stud, DO-8	1N3293A (600v) 1N3296A (1200v)	A K
150A		1N4594	
250A	metal stud, DO-9	1N205 (300v)	A K
275A		1N4056	



FAST RECOVERY (200-750ns) DIODES @ 600V

AMPS	CASE	PART #
1A	plastic axial	1N4937 MR818 (1KV) NTE558 (1.5KV) NTE525 (2KV)
3A		MR856
5A		MR826

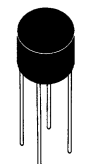
IMPORTANT! The diodes, SCRs & Triacs listed on these pages represent less than 10% of **ACK's** total rectifier and thyristor inventory. So! If you don't see what you need, **call us.**

ULTRAFAST RECOVERY (25-100ns) DIODES

AMPS	CASE	PART #
1.5A 200V	AXIAL	NTE587
8A 200V	TO-220	NTE597
16A 200V	TO-220	NTE6240 (dual diode)
30A 600V	TO-218	MUR3060PT (dual diode)



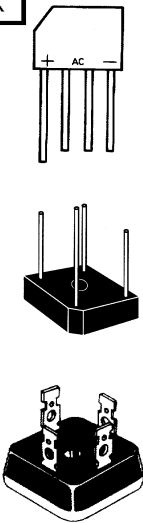
STANDARD POLARITY—Cathode to case (thread end is cathode; arrow points to stud).
REVERSE POLARITY—Anode to case (add an "R" to the end of the part #).



PLASTIC CAN

SCHOTTKY DIODES Switching Time: 10 ns or less

AMPS	CASE	PART #
20mA 4V	axial	MBD-101 hot carrier
1A 40V	plastic, axial	1N5819
3A 40V	plastic, axial	1N5822
5A 40V	metal, axial	1N5825
15A 30V	stud, DO-4	1N5827
15A 35V	TO-220	MBR1535CT (dual diode)
25A 40V	stud, DO-4	1N5831
40A 30V		1N5833



BRIDGE RECTIFIERS (full wave, single phase)

AMPS	VOLTS	CASE	PART #
1A	1KV	DIP	DB1P
1.5A	1KV	PLASTIC CAN	CBR1-100
2A	1KV	RECTANGLE, LEADS ALL IN A ROW	TP210
4A	400V	RECTANGLE, LEADS ALL IN A ROW	MDA970A
6A	600V	RECTANGLE, LEADS ALL IN A ROW	TU606
6A	600V	SQUARE, 1 LEAD AT EACH CORNER	TB66
8A	1KV	SQUARE, 1 LEAD AT EACH CORNER	NTE5317
35A	1KV	SQUARE, 1 QUICK-CONNECT TERMINAL AT EACH CORNER	CBR35-10
40A	600V	SQUARE, 1 QUICK-CONNECT TERMINAL AT EACH CORNER	NTE5342
100A	600V	SQUARE BLOCK WITH 4 SCREWS.	NTE5348

THREE PHASE BRIDGE — 35 Amp, 1KV. #36MT100A.

SEMICONDUCTORS

ZENER DIODES

VOLTS	1/2W	1W	5W	10W (stud mount)	VOLTS
1.8	-	-	-	-	1.8
2	-	-	-	-	2
2.4	1N5221	-	-	N/A	2.4
2.7	1N4371/1N5223	-	-	-	2.7
3	1N4372/1N5225	-	-	-	3
3.3	1N746/1N5226	1N4728	1N5333	-	3.3
3.6	1N747/1N5227	1N4729	1N5334	-	3.6
3.9	1N748/1N5228	1N4730	1N5335	1N3993	3.9
4.3	1N749/1N5229	1N4731	1N5336	1N3994	4.3
4.7	1N750/1N5230	1N4732	1N5337	1N3995	4.7
5.1	1N751/1N5231	1N4733	1N5338	1N3996	5.1
5.6	1N752/1N5232	1N4734	1N5339	1N3997	5.6
6.2	1N753/1N5234	1N4735	1N5341	1N3998	6.2
6.8	1N754/1N5235	1N4736	1N5342	1N3999/1N2970	6.8
7.5	1N755/1N5236	1N4737	1N5343	1N4000/1N2971	7.5
8.2	1N756/1N5237	1N4738	1N5344	1N2972	8.2
8.7	1N5238	-	1N5345	-	8.7
9.1	1N757/1N5239	1N4739	1N5346	1N2973	9.1
10	1N758/1N5240	1N4740	1N5347	1N2974	10
11	1N962/1N5241	1N4741	1N5348	1N2975	11
12	1N759/1N5242	1N4742	1N5349	1N2976	12
13	1N964/1N5243	1N4743	1N5350	1N2977	13
14	1N5244	-	1N5351	1N2878	14
15	1N965/1N5245	1N4744	1N5352	1N2979	15
16	1N966/1N5246	1N4745	1N5353	1N2980	16
17	1N5247	-	1N5354	-	17
18	1N967/1N5248	1N4746	1N5355	1N2982	18
19	1N5249	-	1N5356	1N2983	19
20	1N968/1N5250	1N4747	1N5357	1N2984	20
22	1N969/1N5251	1N4748	1N5358	1N2985	22
24	1N5252	1N4749	1N5359	1N2986	24
25	1N5253	-	1N5360	-	25
27	1N971/1N5254	1N4750	1N5361	1N2988	27
28	1N5255	-	1N5362	-	28
30	-	1N4751	1N5363	1N2989	30
33	1N5257	1N4752	1N5364	1N2990	33
36	1N5258	1N4753	1N5365	1N2991	36
39	1N5259	1N4754	1N5366	1N2992	39
43	1N5260	1N4755	1N5367	1N2993	43
47	-	1N4756	1N5368	1N2996	47
51	-	1N4757	1N5369	1N2997	51
56	-	1N4758	1N5370	1N2999	56
60	-	-	1N5371	-	60
62	1N980/1N5265	1N4769	1N5372	1N3000	62
68	1N981/1N5266	1N4760	1N5373	1N3001	68
75	1N5267	1N4761	1N5374	1N3002	75
82	-	1N4762	1N5375	1N3003	82
87	-	-	1N5376	-	87
91	-	1N4763	1N5377	1N3004	91
100	-	1N4764	1N5378	1N3005	100
110	-	-	1N5379	1N3007	110
120	1N5273	-	1N5380	1N3008	120
130	-	-	1N5381	1N3009	130
150	1N5276	-	1N5383	1N3011	150
160	1N990	N/A	1N5384	1N3012	160
170	1N5278	-	1N5385	-	170
175	1N5279	-	-	-	175
180	-	-	1N5386	1N3014	180
200	-	-	1N5388	1N3015	200

HIGH VOLTAGE DIODES

VOLTS mA PART #

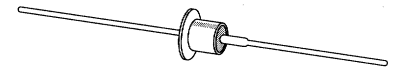
12.4 KV 1.5 ECG502

12 KV 550 MD202

IMPORTANT! The diodes, SCRs & Triacs listed on these pages represent less than 10% of ACK's total rectifier and thyristor inventory. So! If you don't see what you need, **call us.**

DIACs — NTE6407 (250mW, 2A pulse, 28v) & SK9084A (300mW, 2a pluse, 32v)

VARACTOR DIODE—200 mA, 30v, 6.8 pF, 2.7 tuning ratio. SK3323



GERMANIUM SIGNAL DIODES

PART #	PIV	FORWARD VOLTAGE @ INDICATED FORWARD CURRENT	INDICATED FORWARD CURRENT mA
1N34	60	1	5
1N43	60	1	5
1N50	50	1	4
1N51	50	1	2.5
1N54	50	1	5
1N55	150	1	4
1N56	30	1	15
1N58	100	1	4
1N60	50	1	5
1N63	125	1	4
1N65	85	1	2.5
1N81	50	1	3
1N87	23	0.25	0.1
1N91	100	0.5	0.15
1N92	200	0.5	0.1
1N97	100	1	10
1N100	100	1	20
1N108	50	1	50
1N116	75	1	5
1N128	50	1	3
1N191	90	1	5
1N198	80	1	4
1N270	80	1	200





TRANSORBS 1500 WATTS POWER DISSIPATION	
BREAKDOWN VOLTS	PART #
6	1N5908
6.8	1N6267/1.5KE6.8
7.5	1N6268/1.5KE7.5
8.2	1N6269/1.5KE8.2
9.1	1N6270/1.5KE9.1
10	1N6271/1.5KE10
11	1N6272/1.5KE11
12	1N6273/1.5KE12
13	1N6274/1.5KE13
15	1N6275/1.5KE15
16	1N6276/1.5KE16
18	1N6277/1.5KE18
20	1N6278/1.5KE20
22	1N6279/1.5KE22
24	1N6280/1.5KE24
27	1N6281/1.5KE27
30	1N6282/1.5KE30
33	1N6283/1.5KE33
36	1N6284/1.5KE36
39	1N6285/1.5KE39
43	1N6286/1.5KE43
47	1N6287/1.5KE47
51	1N6288/1.5KE51
56	1N6289/1.5KE56
62	1N6290/1.5KE62
68	1N6291/1.5KE68
75	1N6292/1.5KE75
82	1N6293/1.5KE82
91	1N6294/1.5KE91
100	1N6295/1.5KE100
110	1N6296/1.5KE110
120	1N6297/1.5KE120
130	1N6298/1.5KE130
150	1N6299/1.5KE150
160	1N6300/1.5KE160
170	1N6301/1.5KE170
180	1N6302/1.5KE180
200	1N6303/1.5KE200
220	1.5KE220
250	1.5KE250

For a "clipper" (back to back) versions, add "CA" as a suffix of the root part #.



MOVs (Metal Oxide Varistors) CKE				
Max. Applied Continuous Voltage AC	Diameter (mm)	Max. Applied Continuous Voltage DC	Energy 2ms Joules	CKE Part #
14	9	18	0.9	Z7L220
17	9	22	1	Z7L270
20	9	26	1.2	Z7L330
25	9	31	1.5	Z7L390
30	9	38	1.8	Z7L470
35	9	45	2.3	Z7L560
11	13.5	14	1.5	Z10L180
20	13.5	26	3	Z10L330
25	13.5	31	3.5	Z10L390
30	13.5	38	4.5	Z10L470
35	13.5	45	5.5	Z10L560
40	13.5	56	6.5	Z10L680
40	17	56	13	Z15L680
130	17	175	38	Z130LA10A
130	23	175	70	Z130LA20
150	17	200	45	Z150LA10A
150	23	200	80	Z150LA20B
275	17.5	350	75	Z275LA20A
275	24	350	140	Z275LA40A
510	17.5	675	110	Z510LA40A
1000	14	1200	240	V1000LA80



ACK Radio Supply Co — In business longer than we sometimes care to remember! What this means for you is years of electronics experience plus a tremendous inventory selection!